

Table 18. WSTC20, Wide Squeeze Torque Coupling Series

Size	d	Torque Cap Ft-lbs	Dimensional Data							Tightening Screws			Weight lbs
			D	H	L	e	d1	A	Qty	Size	Ma ft lbs		
15-12	5/8	0.063	134.00	2.047	1.339	1.181	.079	.827	1.378	3	M6x30	8.7	0.6
	11/16	0.688	148										
	3/4	0.750	161										
20-12	13/16	0.813	290	2.362	1.575	1.339	.118	1.024	1.614	5	M6x35	8.7	1.2
	7/8	0.875	313										
	15/16	0.938	335										
25-12	1	1.000	501	2.598	1.732	1.496	.118	1.260	1.890	7	M6x35	8.7	1.5
	1-1/16	1.063	532										
	1-1/8	1.125	563										
30-12	1-3/16	1.188	679	2.992	1.890	1.654	.118	1.496	2.126	8	M6x40	8.7	3
	1-1/4	1.250	715										
	1-3/8	1.375	787										
40-12	1-7/16	1.438	1,324	3.780	2.205	1.969	.118	1.850	2.638	7	M8x45	22	4
	1-1/2	1.500	1,382										
	1-5/8	1.625	1,496										
	1-11/16	1.688	1,554										
	1-3/4	1.750	1,612										
50-12	1-7/8	1.875	2,467	4.409	2.676	2.362	.157	2.283	3.150	10	M8x50	22	7
	1-15/16	1.938	2,549										
	2	2.000	2,631										
	2-1/8	2.125	2,796										
60-12	2-3/16	2.188	3,454	4.724	3.307	2.756	.157	2.598	3.504	12	M8x55	22	9
	2-1/4	2.250	3,552										
	2-3/8	2.375	3,750										
	2-7/16	2.438	3,848										
	2-1/2	2.500	3,947										
70-12	2-9/16	2.563	6,430	5.826	3.464	3.150	.157	3.110	4.173	12	M10x65	44	15
	2-5/8	2.625	6,587										
	2-11/16	2.688	6,744										
	2-3/4	2.750	6,901										
	2-7/8	2.875	7,214										
80-12	2-15/16	2.938	8,965	6.693	4.095	3.701	.197	3.701	4.961	10	M12x80	74	23
	3	3.000	9,156										
	3-1/8	3.125	9,537										
	3-1/4	3.250	9,919										
	3-3/8	3.375	10,300										
90-12	3-7/16	3.438	12,589	7.283	4.567	4.173	.197	4.094	5.433	12	M12x85	74	31
	3-1/2	3.500	12,818										
	3-5/8	3.625	13,275										
	3-3/4	3.750	13,734										
	3-7/8	3.875	14,191										
100-12	3-15/16	3.938	18,023	7.756	4.960	4.488	.236	4.488	5.866	15	M12x90	74	37
	4	4.000	18,311										
	4-1/4	4.250	19,456										

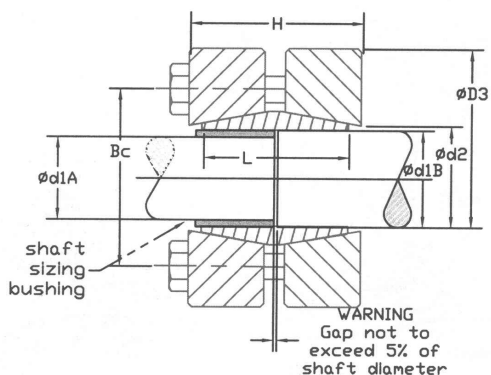


Fig. 41

WSTC Wide Squeeze Coupling provides a low cost, rigid shaft connection for transmitting:

- Shock loads
- Bending moments
- Vibration or pulsating loads
- Stop start or reversing loads

Easy Assembly, Timing & Disassembly...unit can be assembled as one piece or assembled as components.

Increased Shaft Strength...stress concentrations at the keyway are eliminated, no possibility of future shaft keyway cracks. Permits use of smaller shaft diameters.